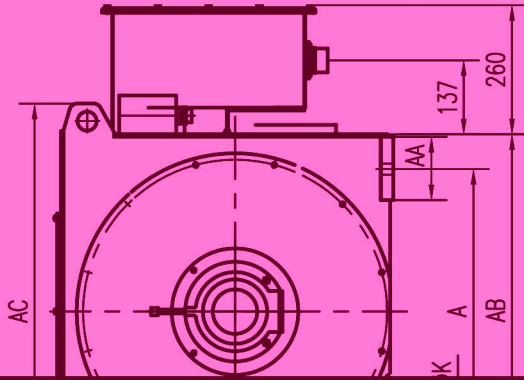
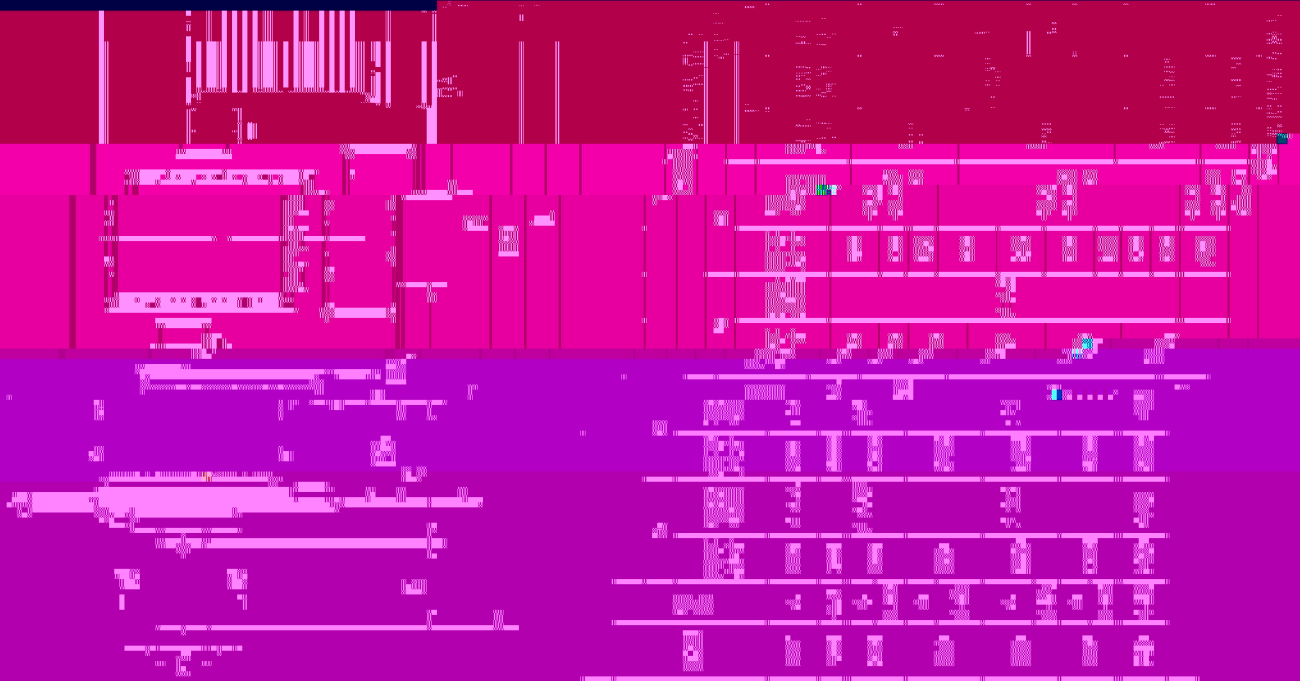


YR系列绕线转子高压三相异步电动机安装尺寸 (6KV)



| 外形尺寸 | | AA | AC | AB | BA | BB | BD | HD | L |
|------|----|-----|------|------|-----|------|-----|------|------|
| 误差 | 52 | 150 | 1024 | 800 | 560 | 1420 | 200 | 860 | 2580 |
| | | | 1124 | 900 | 610 | 1520 | | 880 | 2690 |
| 52 | | | 1204 | 980 | 680 | 1640 | 230 | 980 | 2850 |
| | | | 1344 | 1120 | | 1750 | 300 | 1080 | 3050 |
| 4 | | 200 | 1440 | 1220 | 720 | | | | 3190 |
| | | | 1580 | 1360 | 780 | 2020 | 300 | 1330 | 3430 |
| | | | 1820 | 1600 | 850 | 2170 | 185 | 1530 | 3740 |



YR355-71V系列高压6kV数据

| 型号 | 额定功率 kW | 同步转速 r/min | 定子电流A | 额定负载下 | | 最大转矩/ 额定转矩 (标准值) |
|---------|------------|---------------|-------|--------------|---------------|------------------------|
| | | | | 效率% (标准值) | 功率因数 cos φ | |
| YR355-4 | 220 | 1500 | 27.8 | 91.9 | 0.83 | 1.8 |
| YR355-4 | 250 | 1500 | 31.1 | 92.2 | 0.84 | 1.8 |
| YR355-4 | 280 | 1500 | 34.8 | 92.3 | 0.84 | 1.8 |
| YR355-4 | 315 | 1500 | 38.6 | 92.5 | 0.85 | 1.8 |
| YR355-4 | 355 | 1500 | 43.4 | 92.6 | 0.85 | 1.8 |
| YR400-4 | 400 | 1500 | 48.8 | 92.8 | 0.85 | 1.8 |
| YR400-4 | 450 | 1500 | 54.8 | 93.0 | 0.85 | 1.8 |
| YR400-4 | 500 | 1500 | 60.7 | 93.3 | 0.85 | 1.8 |
| YR400-4 | 560 | 1500 | 67.7 | 93.6 | 0.85 | 1.8 |
| YR400-4 | 630 | 1500 | 75.1 | 93.9 | 0.86 | 1.8 |
| YR400-6 | 220 | 1000 | 28.5 | 91.7 | 0.81 | 1.8 |
| YR400-6 | 250 | 1000 | 31.9 | 91.9 | 0.82 | 1.8 |
| YR400-6 | 280 | 1000 | 35.7 | 92.0 | 0.82 | 1.8 |
| YR400-6 | 315 | 1000 | 40.0 | 92.2 | 0.82 | 1.8 |
| YR400-6 | 355 | 1000 | 45.0 | 92.5 | 0.82 | 1.8 |
| YR400-6 | 400 | 1000 | 50.0 | 92.8 | 0.83 | 1.8 |
| YR400-6 | 450 | 1000 | 55.5 | 92.9 | 0.84 | 1.8 |
| YR400-8 | 400 | 750 | 60.7 | 91.4 | 0.79 | 1.8 |
| YR400-8 | 450 | 750 | 66.7 | 91.8 | 0.79 | 1.8 |
| YR400-8 | 500 | 750 | 72.7 | 92.1 | 0.79 | 1.8 |
| YR400-8 | 560 | 750 | 79.7 | 92.4 | 0.79 | 1.8 |
| YR400-8 | 630 | 750 | 86.7 | 92.7 | 0.80 | 1.8 |
| YR400-8 | 700 | 750 | 93.7 | 93.0 | 0.80 | 1.8 |
| YR400-8 | 750 | 750 | 100.0 | 93.3 | 0.80 | 1.8 |
| YR400-8 | 800 | 750 | 106.3 | 93.6 | 0.80 | 1.8 |
| YR400-8 | 850 | 750 | 112.7 | 93.9 | 0.80 | 1.8 |
| YR400-8 | 900 | 750 | 119.0 | 94.2 | 0.80 | 1.8 |
| YR400-8 | 950 | 750 | 125.4 | 94.5 | 0.80 | 1.8 |
| YR400-8 | 1000 | 750 | 131.7 | 94.8 | 0.80 | 1.8 |
| YR450-4 | 450 | 1500 | 54.8 | 93.0 | 0.85 | 1.8 |
| YR450-4 | 500 | 1500 | 60.7 | 93.3 | 0.85 | 1.8 |
| YR450-4 | 560 | 1500 | 67.7 | 93.6 | 0.85 | 1.8 |
| YR450-4 | 630 | 1500 | 75.1 | 93.9 | 0.86 | 1.8 |
| YR450-4 | 700 | 1500 | 82.5 | 94.2 | 0.86 | 1.8 |
| YR450-4 | 750 | 1500 | 88.8 | 94.5 | 0.86 | 1.8 |
| YR450-4 | 800 | 1500 | 95.1 | 94.8 | 0.86 | 1.8 |
| YR450-4 | 850 | 1500 | 101.4 | 95.1 | 0.86 | 1.8 |
| YR450-4 | 900 | 1500 | 107.7 | 95.4 | 0.86 | 1.8 |
| YR450-4 | 950 | 1500 | 114.0 | 95.7 | 0.86 | 1.8 |
| YR450-4 | 1000 | 1500 | 120.3 | 96.0 | 0.86 | 1.8 |
| YR450-6 | 450 | 1000 | 50.0 | 92.8 | 0.83 | 1.8 |
| YR450-6 | 500 | 1000 | 55.5 | 93.1 | 0.83 | 1.8 |
| YR450-6 | 560 | 1000 | 61.0 | 93.4 | 0.83 | 1.8 |
| YR450-6 | 630 | 1000 | 66.5 | 93.7 | 0.83 | 1.8 |
| YR450-6 | 700 | 1000 | 72.0 | 94.0 | 0.83 | 1.8 |
| YR450-6 | 750 | 1000 | 77.5 | 94.3 | 0.83 | 1.8 |
| YR450-6 | 800 | 1000 | 83.0 | 94.6 | 0.83 | 1.8 |
| YR450-6 | 850 | 1000 | 88.5 | 94.9 | 0.83 | 1.8 |
| YR450-6 | 900 | 1000 | 94.0 | 95.2 | 0.83 | 1.8 |
| YR450-6 | 950 | 1000 | 99.5 | 95.5 | 0.83 | 1.8 |
| YR450-6 | 1000 | 1000 | 105.0 | 95.8 | 0.83 | 1.8 |
| YR450-8 | 450 | 750 | 54.8 | 93.0 | 0.85 | 1.8 |
| YR450-8 | 500 | 750 | 60.7 | 93.3 | 0.85 | 1.8 |
| YR450-8 | 560 | 750 | 66.7 | 93.6 | 0.85 | 1.8 |
| YR450-8 | 630 | 750 | 72.7 | 93.9 | 0.86 | 1.8 |
| YR450-8 | 700 | 750 | 78.7 | 94.2 | 0.86 | 1.8 |
| YR450-8 | 750 | 750 | 84.7 | 94.5 | 0.86 | 1.8 |
| YR450-8 | 800 | 750 | 90.7 | 94.8 | 0.86 | 1.8 |
| YR450-8 | 850 | 750 | 96.7 | 95.1 | 0.86 | 1.8 |
| YR450-8 | 900 | 750 | 102.7 | 95.4 | 0.86 | 1.8 |
| YR450-8 | 950 | 750 | 108.7 | 95.7 | 0.86 | 1.8 |
| YR450-8 | 1000 | 750 | 114.7 | 96.0 | 0.86 | 1.8 |
| YR500-4 | 500 | 1500 | 60.7 | 93.3 | 0.85 | 1.8 |
| YR500-4 | 560 | 1500 | 67.7 | 93.6 | 0.85 | 1.8 |
| YR500-4 | 630 | 1500 | 75.1 | 93.9 | 0.86 | 1.8 |
| YR500-4 | 700 | 1500 | 82.5 | 94.2 | 0.86 | 1.8 |
| YR500-4 | 750 | 1500 | 88.8 | 94.5 | 0.86 | 1.8 |
| YR500-4 | 800 | 1500 | 95.1 | 94.8 | 0.86 | 1.8 |
| YR500-4 | 850 | 1500 | 101.4 | 95.1 | 0.86 | 1.8 |
| YR500-4 | 900 | 1500 | 107.7 | 95.4 | 0.86 | 1.8 |
| YR500-4 | 950 | 1500 | 114.0 | 95.7 | 0.86 | 1.8 |
| YR500-4 | 1000 | 1500 | 120.3 | 96.0 | 0.86 | 1.8 |
| YR500-6 | 500 | 1000 | 55.5 | 92.9 | 0.84 | 1.8 |
| YR500-6 | 560 | 1000 | 61.0 | 93.2 | 0.84 | 1.8 |
| YR500-6 | 630 | 1000 | 66.5 | 93.5 | 0.84 | 1.8 |
| YR500-6 | 700 | 1000 | 72.0 | 93.8 | 0.84 | 1.8 |
| YR500-6 | 750 | 1000 | 77.5 | 94.1 | 0.84 | 1.8 |
| YR500-6 | 800 | 1000 | 83.0 | 94.4 | 0.84 | 1.8 |
| YR500-6 | 850 | 1000 | 88.5 | 94.7 | 0.84 | 1.8 |
| YR500-6 | 900 | 1000 | 94.0 | 95.0 | 0.84 | 1.8 |
| YR500-6 | 950 | 1000 | 99.5 | 95.3 | 0.84 | 1.8 |
| YR500-6 | 1000 | 1000 | 105.0 | 95.6 | 0.84 | 1.8 |
| YR500-8 | 500 | 750 | 60.7 | 93.3 | 0.85 | 1.8 |
| YR500-8 | 560 | 750 | 66.7 | 93.6 | 0.85 | 1.8 |
| YR500-8 | 630 | 750 | 72.7 | 93.9 | 0.86 | 1.8 |
| YR500-8 | 700 | 750 | 78.7 | 94.2 | 0.86 | 1.8 |
| YR500-8 | 750 | 750 | 84.7 | 94.5 | 0.86 | 1.8 |
| YR500-8 | 800 | 750 | 90.7 | 94.8 | 0.86 | 1.8 |
| YR500-8 | 850 | 750 | 96.7 | 95.1 | 0.86 | 1.8 |
| YR500-8 | 900 | 750 | 102.7 | 95.4 | 0.86 | 1.8 |
| YR500-8 | 950 | 750 | 108.7 | 95.7 | 0.86 | 1.8 |
| YR500-8 | 1000 | 750 | 114.7 | 96.0 | 0.86 | 1.8 |

YR355-710系列高压6kV数据

| 型号 | 额定功率 kW | 同步转速 r/min | 定子电流A | 额定负载下 | | 最大转矩/ 额定转矩 (标准值) |
|----------|------------|---------------|--------|--------------|---------------|------------------------|
| | | | | 效率% (标准值) | 功率因数 cos φ | |
| YR450-10 | 355 | 600 | 47.9 | 91.4 | 0.78 | 1.8 |
| YR450-10 | 400 | 600 | 53.6 | 92.1 | 0.78 | 1.8 |
| YR450-12 | 220 | 500 | 32.8 | 89.6 | 0.72 | 1.8 |
| YR450-12 | 250 | 500 | 36.8 | 90.7 | 0.72 | 1.8 |
| YR450-12 | 280 | 500 | 40.6 | 90.9 | 0.73 | 1.8 |
| YR500-4 | 1120 | 1500 | 131.1 | 94.5 | 0.87 | 1.8 |
| YR500-4 | 1250 | 1500 | 146.0 | 94.7 | 0.87 | 1.8 |
| YR500-4 | 1400 | 1500 | 163.3 | 94.8 | 0.87 | 1.8 |
| YR500-4 | 1600 | 1500 | 186.5 | 94.9 | 0.87 | 1.8 |
| YR500-6 | 800 | 1000 | 96.1 | 94.2 | 0.85 | 1.8 |
| YR500-6 | 900 | 1000 | 108.0 | 94.3 | 0.85 | 1.8 |
| YR500-6 | 1000 | 1000 | 119.8 | 94.5 | 0.85 | 1.8 |
| YR500-6 | 1120 | 1000 | 134.0 | 94.6 | 0.85 | 1.8 |
| YR500-8 | 560 | 750 | 71.5 | 93.1 | 0.81 | 1.8 |
| YR500-8 | 630 | 750 | 80.2 | 93.2 | 0.81 | 1.8 |
| YR500-8 | 710 | 750 | 90.3 | 93.4 | 0.81 | 1.8 |
| YR500-8 | 800 | 750 | 101.6 | 93.5 | 0.81 | 1.8 |
| YR500-8 | 900 | 750 | 114.2 | 93.6 | 0.81 | 1.8 |
| YR500-8 | 1000 | 750 | 128.1 | 93.7 | 0.81 | 1.8 |
| YR500-8 | 1120 | 750 | 143.4 | 93.8 | 0.81 | 1.8 |
| YR500-8 | 1250 | 750 | 160.1 | 93.9 | 0.81 | 1.8 |
| YR500-8 | 1400 | 750 | 178.3 | 94.0 | 0.81 | 1.8 |
| YR500-8 | 1600 | 750 | 208.0 | 94.1 | 0.81 | 1.8 |
| YR500-8 | 1800 | 750 | 240.2 | 94.2 | 0.81 | 1.8 |
| YR500-8 | 2000 | 750 | 274.9 | 94.3 | 0.81 | 1.8 |
| YR500-8 | 2250 | 750 | 312.1 | 94.4 | 0.81 | 1.8 |
| YR500-8 | 2500 | 750 | 351.8 | 94.5 | 0.81 | 1.8 |
| YR500-8 | 2800 | 750 | 394.1 | 94.6 | 0.81 | 1.8 |
| YR500-8 | 3150 | 750 | 439.0 | 94.7 | 0.81 | 1.8 |
| YR500-8 | 3550 | 750 | 486.5 | 94.8 | 0.81 | 1.8 |
| YR500-8 | 4000 | 750 | 536.6 | 94.9 | 0.81 | 1.8 |
| YR500-8 | 4500 | 750 | 589.3 | 95.0 | 0.81 | 1.8 |
| YR500-8 | 5000 | 750 | 644.6 | 95.1 | 0.81 | 1.8 |
| YR500-8 | 5600 | 750 | 702.5 | 95.2 | 0.81 | 1.8 |
| YR500-8 | 6300 | 750 | 763.0 | 95.3 | 0.81 | 1.8 |
| YR500-8 | 7100 | 750 | 826.1 | 95.4 | 0.81 | 1.8 |
| YR500-8 | 8000 | 750 | 891.8 | 95.5 | 0.81 | 1.8 |
| YR500-8 | 9000 | 750 | 960.1 | 95.6 | 0.81 | 1.8 |
| YR500-8 | 10000 | 750 | 1031.0 | 95.7 | 0.81 | 1.8 |
| YR500-8 | 11200 | 750 | 1104.5 | 95.8 | 0.81 | 1.8 |
| YR500-8 | 12500 | 750 | 1180.6 | 95.9 | 0.81 | 1.8 |
| YR500-8 | 14000 | 750 | 1259.3 | 96.0 | 0.81 | 1.8 |
| YR500-8 | 16000 | 750 | 1340.6 | 96.1 | 0.81 | 1.8 |
| YR500-8 | 18000 | 750 | 1424.5 | 96.2 | 0.81 | 1.8 |
| YR500-8 | 20000 | 750 | 1511.0 | 96.3 | 0.81 | 1.8 |
| YR500-8 | 22500 | 750 | 1600.1 | 96.4 | 0.81 | 1.8 |
| YR500-8 | 25000 | 750 | 1691.8 | 96.5 | 0.81 | 1.8 |
| YR500-8 | 28000 | 750 | 1786.1 | 96.6 | 0.81 | 1.8 |
| YR500-8 | 31500 | 750 | 1883.0 | 96.7 | 0.81 | 1.8 |
| YR500-8 | 35500 | 750 | 1982.5 | 96.8 | 0.81 | 1.8 |
| YR500-8 | 40000 | 750 | 2084.6 | 96.9 | 0.81 | 1.8 |
| YR500-8 | 45000 | 750 | 2189.3 | 97.0 | 0.81 | 1.8 |
| YR500-8 | 50000 | 750 | 2296.6 | 97.1 | 0.81 | 1.8 |
| YR500-8 | 56000 | 750 | 2406.5 | 97.2 | 0.81 | 1.8 |
| YR500-8 | 63000 | 750 | 2519.0 | 97.3 | 0.81 | 1.8 |
| YR500-8 | 71000 | 750 | 2634.1 | 97.4 | 0.81 | 1.8 |
| YR500-8 | 80000 | 750 | 2751.8 | 97.5 | 0.81 | 1.8 |
| YR500-8 | 90000 | 750 | 2872.1 | 97.6 | 0.81 | 1.8 |
| YR500-8 | 100000 | 750 | 2995.0 | 97.7 | 0.81 | 1.8 |
| YR500-8 | 112000 | 750 | 3120.5 | 97.8 | 0.81 | 1.8 |
| YR500-8 | 125000 | 750 | 3248.6 | 97.9 | 0.81 | 1.8 |
| YR500-8 | 140000 | 750 | 3379.3 | 98.0 | 0.81 | 1.8 |
| YR500-8 | 160000 | 750 | 3512.6 | 98.1 | 0.81 | 1.8 |
| YR500-8 | 180000 | 750 | 3648.5 | 98.2 | 0.81 | 1.8 |
| YR500-8 | 200000 | 750 | 3787.0 | 98.3 | 0.81 | 1.8 |
| YR500-8 | 225000 | 750 | 3928.1 | 98.4 | 0.81 | 1.8 |
| YR500-8 | 250000 | 750 | 4071.8 | 98.5 | 0.81 | 1.8 |
| YR500-8 | 280000 | 750 | 4218.1 | 98.6 | 0.81 | 1.8 |
| YR500-8 | 315000 | 750 | 4367.0 | 98.7 | 0.81 | 1.8 |
| YR500-8 | 355000 | 750 | 4518.5 | 98.8 | 0.81 | 1.8 |
| YR500-8 | 400000 | 750 | 4672.6 | 98.9 | 0.81 | 1.8 |
| YR500-8 | 450000 | 750 | 4829.3 | 99.0 | 0.81 | 1.8 |
| YR500-8 | 500000 | 750 | 4988.6 | 99.1 | 0.81 | 1.8 |
| YR500-8 | 560000 | 750 | 5150.5 | 99.2 | 0.81 | 1.8 |
| YR500-8 | 630000 | 750 | 5315.0 | 99.3 | 0.81 | 1.8 |
| YR500-8 | 710000 | 750 | 5482.1 | 99.4 | 0.81 | 1.8 |
| YR500-8 | 800000 | 750 | 5651.8 | 99.5 | 0.81 | 1.8 |
| YR500-8 | 900000 | 750 | 5824.1 | 99.6 | 0.81 | 1.8 |
| YR500-8 | 1000000 | 750 | 5999.0 | 99.7 | 0.81 | 1.8 |
| YR500-8 | 1120000 | 750 | 6176.5 | 99.8 | 0.81 | 1.8 |
| YR500-8 | 1250000 | 750 | 6356.6 | 99.9 | 0.81 | 1.8 |
| YR500-8 | 1400000 | 750 | 6539.3 | 100.0 | 0.81 | 1.8 |

YR355-11V系列高压6kV数据

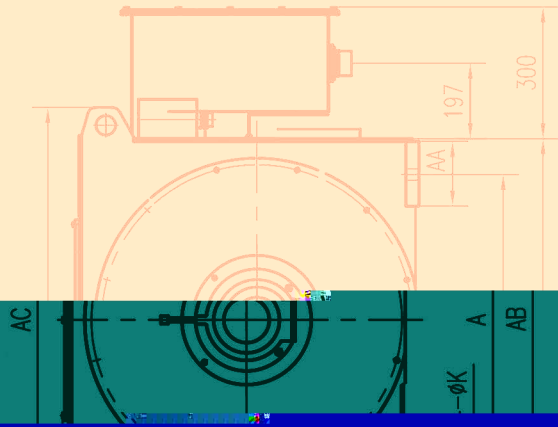
| 型号 | 额定功率 kW | 同步转速 r/min | 定子电流A | 额定负载下 | | 最大转矩/ 额定转矩 (标准值) |
|----|------------|---------------|-------|--------------|---------------|------------------------|
| | | | | 效率% (标准值) | 功率因数 (标准值) | |

| | | | | | | |
|-------------|-------|------|--------|------|------|------|
| YR355-11-0 | 15000 | 1500 | 1500.0 | 94.5 | 0.81 | 1.0 |
| YR355-11-1 | 17500 | 1500 | 1661.1 | 94.0 | 0.80 | 1.30 |
| YR355-11-2 | 20000 | 1500 | 1770.1 | 94.0 | 0.80 | 1.30 |
| YR355-11-3 | 22500 | 1500 | 1954.5 | 94.1 | 0.80 | 1.30 |
| YR355-11-4 | 25000 | 1500 | 2121.8 | 93.8 | 0.79 | 1.30 |
| YR355-11-5 | 27500 | 1500 | 2281.7 | 93.9 | 0.79 | 1.30 |
| YR355-11-6 | 30000 | 1500 | 2450.7 | 93.9 | 0.79 | 1.30 |
| YR355-11-7 | 32500 | 1500 | 2620.4 | 94.1 | 0.80 | 1.30 |
| YR355-11-8 | 35000 | 1000 | 2901.7 | 93.7 | 0.80 | 1.30 |
| YR355-11-9 | 37500 | 1000 | 3071.8 | 93.7 | 0.80 | 1.30 |
| YR355-11-10 | 40000 | 750 | 3250.8 | 93.1 | 0.83 | 1.30 |
| YR355-11-11 | 42500 | 750 | 3429.8 | 93.0 | 0.83 | 1.30 |
| YR355-11-12 | 45000 | 600 | 3609.8 | 92.4 | 0.81 | 1.30 |
| YR355-11-13 | 47500 | 600 | 3789.8 | 92.5 | 0.81 | 1.30 |
| YR355-11-14 | 50000 | 600 | 3969.8 | 92.4 | 0.81 | 1.30 |
| YR355-11-15 | 52500 | 600 | 4149.8 | 92.5 | 0.81 | 1.30 |
| YR355-11-16 | 55000 | 600 | 4329.8 | 92.4 | 0.81 | 1.30 |
| YR355-11-17 | 57500 | 600 | 4509.8 | 92.5 | 0.81 | 1.30 |
| YR355-11-18 | 60000 | 375 | 4689.8 | 92.7 | 0.82 | 1.30 |
| YR355-11-19 | 62500 | 375 | 4869.8 | 92.8 | 0.82 | 1.30 |



WZE 众泰防爆

YR系列绕线转子高压三相异步电动机安装尺寸 (10KV)



| | | 外形尺寸 | | | | | | | | | |
|------|------|------|------|------|-----|------|-----|------|------|-----|------|
| | | AA | AC | AB | AA | AB | AA | AC | AB | AA | AC |
| 极限偏差 | 0.52 | 150 | 1124 | 900 | 610 | 1520 | 230 | 880 | 2900 | 880 | 2900 |
| | 0 | | 1204 | 980 | 680 | 1610 | 980 | 2850 | 2960 | 980 | 2850 |
| | 0.62 | | 1344 | 1120 | | 1730 | 300 | 1080 | 3000 | | 3000 |
| | 0 | 200 | 1444 | | | | | | 3190 | | 3190 |
| | | | 1584 | | | | | | 3240 | | 3240 |
| | 0.74 | | 1824 | | | | | | 3330 | | 3330 |
| | 0 | | | | | | | | 3470 | | 3470 |

YR400-710系列高压10kV数据

| 型号 | 额定功率 kW | 同步转速 r/min | 定子电流 A | 额定负载下 | | 最大转矩/ 额定转矩 (标准值) |
|----|------------|---------------|-----------|--------------|------|------------------------|
| | | | | 效率% (标准值) | 功率因数 | |

| | | | | | | |
|---------|------|------|------|------|------|-----|
| YR450-6 | 355 | 1000 | 27.5 | 91.9 | 0.81 | 1.8 |
| YR450-6 | 400 | 1000 | 31.0 | 92.1 | 0.81 | 1.8 |
| YR450-6 | 450 | 1000 | 34.7 | 92.4 | 0.81 | 1.8 |
| YR450-8 | 220 | 750 | 19.5 | 90.6 | 0.72 | 1.8 |
| YR450-8 | 250 | 750 | 21.8 | 90.9 | 0.73 | 1.8 |
| YR450-8 | 280 | 750 | 23.6 | 91.4 | 0.75 | 1.8 |
| YR500-4 | 710 | 1500 | 51.3 | 94.0 | 0.85 | 1.8 |
| YR500-4 | 800 | 1500 | 57.0 | 94.2 | 0.86 | 1.8 |
| YR500-4 | 900 | 1500 | 64.1 | 94.3 | 0.86 | 1.8 |
| YR500-4 | 1000 | 1500 | 71.1 | 94.4 | 0.86 | 1.8 |
| YR500-4 | 1120 | 1500 | 78.6 | 94.6 | 0.87 | 1.8 |
| YR500-6 | 500 | 1000 | 38.4 | 92.7 | 0.81 | 1.8 |
| YR500-6 | 560 | 1000 | 42.9 | 93.0 | 0.81 | 1.8 |
| YR500-6 | 630 | 1000 | 47.6 | 93.2 | 0.82 | 1.8 |
| YR500-6 | 710 | 1000 | 53.5 | 93.4 | 0.82 | 1.8 |
| YR500-6 | 800 | 1000 | 58.6 | 93.8 | 0.84 | 1.8 |

YR400-710系列高压10kV数据

| 型号 | 额定功率 | 同步转速 | 定子电流 | 额定负载下 | | 最大转矩/ |
|----|------|------|------|-------|------|-------|
| | | | | 效率 | 功率因数 | |

0 0 0 0 0

■ ■

—



YR400-710系列高压10kV数据

| 额定功率/kW | 额定电压/V | 额定电流/A | 额定转速/r/min | 额定负载下 | | 最大转矩/额定转矩 |
|---------|--------|--------|------------|-------|------|-----------|
| | | | | 效率/% | 功率因数 | |

| | | | | | | |
|-----------|------|------|-------|------|------|-----|
| YR400-2 | 2000 | 2000 | 226.4 | 95.0 | 0.85 | 2.5 |
| YR400-4 | 1000 | 1000 | 130.7 | 95.0 | 0.85 | 2.5 |
| YR400-8 | 500 | 750 | 74.8 | 94.2 | 0.82 | 2.5 |
| YR400-10 | 420 | 750 | 69.8 | 94.3 | 0.82 | 2.5 |
| YR400-12 | 350 | 750 | 63.9 | 94.4 | 0.83 | 2.5 |
| YR400-16 | 280 | 750 | 54.4 | 94.4 | 0.83 | 2.5 |
| YR400-20 | 220 | 900 | 45.8 | 95.2 | 0.79 | 2.5 |
| YR400-25 | 180 | 900 | 39.2 | 95.3 | 0.79 | 2.5 |
| YR400-30 | 150 | 900 | 33.8 | 95.3 | 0.79 | 2.5 |
| YR400-35 | 130 | 900 | 29.8 | 95.3 | 0.79 | 2.5 |
| YR400-40 | 110 | 900 | 26.8 | 95.3 | 0.79 | 2.5 |
| YR400-45 | 100 | 900 | 24.8 | 95.3 | 0.79 | 2.5 |
| YR400-50 | 90 | 900 | 23.8 | 95.3 | 0.79 | 2.5 |
| YR400-55 | 80 | 900 | 22.8 | 95.3 | 0.79 | 2.5 |
| YR400-60 | 75 | 900 | 21.8 | 95.3 | 0.79 | 2.5 |
| YR400-65 | 70 | 900 | 20.8 | 95.3 | 0.79 | 2.5 |
| YR400-70 | 65 | 900 | 19.8 | 95.3 | 0.79 | 2.5 |
| YR400-75 | 60 | 900 | 18.8 | 95.3 | 0.79 | 2.5 |
| YR400-80 | 55 | 900 | 17.8 | 95.3 | 0.79 | 2.5 |
| YR400-85 | 50 | 900 | 16.8 | 95.3 | 0.79 | 2.5 |
| YR400-90 | 45 | 900 | 15.8 | 95.3 | 0.79 | 2.5 |
| YR400-95 | 40 | 900 | 14.8 | 95.3 | 0.79 | 2.5 |
| YR400-100 | 35 | 900 | 13.8 | 95.3 | 0.79 | 2.5 |
| YR400-110 | 30 | 900 | 12.8 | 95.3 | 0.79 | 2.5 |
| YR400-120 | 25 | 900 | 11.8 | 95.3 | 0.79 | 2.5 |
| YR400-130 | 20 | 900 | 10.8 | 95.3 | 0.79 | 2.5 |
| YR400-140 | 15 | 900 | 9.8 | 95.3 | 0.79 | 2.5 |
| YR400-150 | 10 | 900 | 8.8 | 95.3 | 0.79 | 2.5 |
| YR400-160 | 5 | 900 | 4.8 | 95.3 | 0.79 | 2.5 |

YR800-1000系列高压6kV数据

| 型号 | 额定功率 | 同步转速 | 定子电流 | 额定负载下 | | 最大转矩/ 额定转矩 |
|----|------|------|------|-------|------|---------------|
| | | | | 效率% | 功率因数 | |

YR800-1000系列高压6kV数据

| 型号 | 额定功率 kW | 同步转速 r/min | 定子电流 A | 额定负载下 | | 最大转矩/ 额定转矩 (标准值) |
|-----------|------------|---------------|-----------|--------------|---------------|------------------------|
| | | | | 效率% (标准值) | 功率因数 cos φ | |
| YR900-8 | 4000 | 750 | 478.8 | 95.7 | 0.84 | 1.8 |
| YR900-8 | 4500 | 750 | 538.1 | 95.8 | 0.84 | 1.8 |
| YR900-10 | 2800 | 600 | 345.9 | 95.0 | 0.82 | 1.8 |
| YR900-10 | 3150 | 600 | 388.7 | 95.1 | 0.82 | 1.8 |
| YR900-10 | 3550 | 600 | 437.6 | 95.2 | 0.82 | 1.8 |
| YR900-10 | 4000 | 600 | 492.6 | 95.3 | 0.82 | 1.8 |
| YR900-12 | 2500 | 500 | 322.2 | 94.5 | 0.79 | 1.8 |
| YR900-12 | 2800 | 500 | 360.5 | 94.6 | 0.79 | 1.8 |
| YR900-12 | 3150 | 500 | 405.2 | 94.7 | 0.79 | 1.8 |
| YR900-16 | 1600 | 375 | 223.0 | 93.3 | 0.74 | 1.8 |
| YR900-16 | 1800 | 375 | 250.6 | 93.4 | 0.74 | 1.8 |
| YR900-16 | 2000 | 375 | 278.2 | 93.5 | 0.74 | 1.8 |
| YR1000-10 | 4500 | 600 | 553.7 | 95.4 | 0.82 | 1.8 |
| YR1000-10 | 6000 | 600 | 723.4 | 95.6 | 0.82 | 1.8 |
| YR1000-10 | 6600 | 600 | 788.1 | 95.6 | 0.82 | 1.8 |
| YR1000-12 | 3550 | 500 | 456.1 | 94.8 | 0.78 | 1.8 |
| YR1000-12 | 4000 | 500 | 517.4 | 94.9 | 0.79 | 1.8 |
| YR1000-12 | 4500 | 500 | 577.0 | 95.0 | 0.78 | 1.8 |
| YR1000-12 | 6000 | 500 | 749.4 | 95.2 | 0.79 | 1.8 |
| YR1000-16 | 2800 | 375 | 311.2 | 92.7 | 0.74 | 1.8 |
| YR1000-18 | 2500 | 375 | 347.0 | 93.7 | 0.74 | 1.8 |
| YR1000-18 | 3800 | 375 | 538.3 | 94.8 | 0.74 | 1.8 |

YR800-1000系列高压10kV数据

| 型号 | 额定功率 kW | 同步转速 r/min | 定子电流A | 额定负载下 | | 最大转矩/ 额定转矩 (标准值) |
|-----------|------------|---------------|-------|--------------|---------------|------------------------|
| | | | | 效率% (标准值) | 功率因数 cos φ | |
| YR800-4 | 4000 | 1500 | 280.0 | 95.9 | 0.86 | 1.8 |
| YR800-4 | 4500 | 1500 | 314.7 | 96.0 | 0.86 | 1.8 |
| YR800-4 | 5000 | 1500 | 349.3 | 96.1 | 0.86 | 1.8 |
| YR800-4 | 5600 | 1500 | 390.8 | 96.2 | 0.86 | 1.8 |
| YR800-6 | 2800 | 1000 | 204.0 | 95.5 | 0.83 | 1.8 |
| YR800-6 | 3150 | 1000 | 226.5 | 95.6 | 0.84 | 1.8 |
| YR800-6 | 3550 | 1000 | 255.0 | 95.7 | 0.84 | 1.8 |
| YR800-8 | 2500 | 750 | 185.3 | 95.0 | 0.82 | 1.8 |
| YR800-8 | 2800 | 750 | 207.3 | 95.1 | 0.82 | 1.8 |
| YR900-6 | 4000 | 1000 | 287.0 | 95.8 | 0.84 | 1.8 |
| YR900-6 | 4500 | 1000 | 321.7 | 95.9 | 0.84 | 1.8 |
| YR900-6 | 5000 | 1000 | 356.3 | 96.0 | 0.84 | 1.8 |
| YR900-6 | 5600 | 1000 | 397.8 | 96.1 | 0.84 | 1.8 |
| YR900-8 | 2500 | 750 | 185.3 | 95.0 | 0.82 | 1.8 |
| YR900-8 | 2800 | 750 | 207.3 | 95.1 | 0.82 | 1.8 |
| YR1000-6 | 3150 | 1000 | 226.5 | 95.6 | 0.84 | 1.8 |
| YR1000-6 | 3550 | 1000 | 255.0 | 95.7 | 0.84 | 1.8 |
| YR1000-8 | 4500 | 750 | 327.8 | 95.5 | 0.83 | 1.8 |
| YR1000-8 | 5000 | 750 | 363.8 | 95.6 | 0.83 | 1.8 |
| YR1000-10 | 3150 | 600 | 246.8 | 94.8 | 0.81 | 1.8 |
| YR1000-10 | 3550 | 600 | 266.6 | 94.9 | 0.81 | 1.8 |
| YR1000-12 | 2500 | 500 | 199.0 | 94.2 | 0.77 | 1.8 |
| YR1000-12 | 2800 | 500 | 222.8 | 94.3 | 0.77 | 1.8 |
| YR1000-12 | 3150 | 500 | 247.0 | 94.4 | 0.77 | 1.8 |
| YR1000-12 | 3550 | 500 | 272.0 | 94.5 | 0.78 | 1.8 |
| YR1000-12 | 4000 | 500 | 307.0 | 94.6 | 0.78 | 1.8 |
| YR1000-12 | 4500 | 500 | 342.0 | 94.7 | 0.78 | 1.8 |
| YR1000-12 | 5000 | 500 | 377.0 | 94.8 | 0.78 | 1.8 |
| YR1000-12 | 5600 | 500 | 412.0 | 94.9 | 0.78 | 1.8 |