

YBX3 技术参数

额定电流	额定效率 η %	功率因数 $\cos\Phi$	额定转矩 N.m	堵转电流 额定电流	堵转转矩 额定转矩	最大转矩 额定转矩	最小转矩 额定转矩	空载噪音 dB(A)	重量 kg
Rated Current	Rated Eff.	Power Factor	Rated Torque	$\frac{I_{st}}{I_n}$	$\frac{T_{st}}{T_n}$	$\frac{T_{max}}{T_n}$	$\frac{T_{min}}{T_n}$	LW dB(A)	Net Weight
A	%		N.m						kg

电机型号	额定功率 kW	额定转速 r/min	额定电 流 A
Motor Type	Rated Power kW	Rated Speed r/min	Rated Current A

转速 1500r/min 4-pole, 1500r/min synchronous speed

4 极 - 同步

77.8	0.75	3.8	6.3	2.3	2.3	1.7	58	28	YBX3-80M1-4	0.55	1390	1.4
82.5	0.75	5.2	6.5	2.3	2.3	1.6	58	30	YBX3-80M2-4	0.75	1390	1.8
84.1	0.75	7.5	6.6	2.3	2.3	1.6	61	32	YBX3-90S-4	1.1	1400	2.6
85.2	0.75	10.2	6.8	2.3	2.3	1.6	61	37	YBX3-90L-4	1.5	1400	3.5
86.3	0.82	13.5	7.0	2.0	2.3	1.4	71	89	YBX3-100L-4	2.2	1420	4.8
87.5	0.82	18.5	7.2	2.0	2.3	1.4	71	98	YBX3-100M-4	3.0	1420	6.5
88.7	0.85	25.0	7.4	2.0	2.3	1.4	71	98	YBX3-132M-4	7.5	1440	15.0
89.8	0.85	33.0	7.5	2.0	2.3	1.4	75	146	YBX3-160M-4	11	1460	21.5
90.9	0.85	43.0	7.5	2.0	2.3	1.4	75	184	YBX3-160L-4	15	1460	28.8
92.0	0.86	55.0	7.7	2.0	2.3	1.2	76	212	YBX3-180M-4	18.5	1470	35.3
93.1	0.86	75.0	7.8	2.0	2.3	1.2	76	212	YBX3-180L-4	22	1470	41.8

94.2	0.88	100.0	8.0	2.0	2.3	1.1	81	407	YBX3-225M-4	45	1480	84.2
95.3	0.88	132.0	8.1	2.0	2.3	1.1	83	504	YBX3-250M-4	55	1480	103
96.4	0.88	175.0	8.2	2.0	2.3	1.0	86	653	YBX3-280S-4	75	1480	136
97.5	0.88	220.0	8.3	2.0	2.3	1.0	86	746	YBX3-280M-4	90	1485	163
98.6	0.88	280.0	8.4	2.0	2.2	1.0	93	1010	YBX3-315S-4	110	1485	197
99.7	0.88	355.0	8.5	2.0	2.2	1.0	93	1121	YBX3-315M-4	132	1485	236
100.8	0.88	450.0	8.6	2.0	2.2	1.0	94	1328	YBX3-315L1-4	160	1485	285

YBX3 技术参数

功率因数 cos φ	额定转矩 N.m	堵转电流 额定电流	堵转转矩 额定转矩	最大转矩 额定转矩	最小转矩 额定转矩	空载噪音 dB(A)	重量 kg
Power factor	Rated Torque	I _{st}	T _{st}	T _{max}	T _{min}	LW	Net

电机型号 Motor type	额定功率 kW	额定转速 r/min	额定电流 A	额定效率 η %
Motor type	Rated Power	Rated Speed	Rated Current	Rated Eff.

YBX3-0.37-2-0.4	0.37	2800	1.1	1.2	1.5	68	1.5
YBX3-0.55-2-0.4	0.55	2800	1.5	1.6	1.8	70	1.8
YBX3-0.75-2-0.4	0.75	2800	1.8	1.8	2.0	72	2.0
YBX3-1.1-2-0.4	1.1	2800	2.2	2.0	2.2	74	2.2
YBX3-1.5-2-0.4	1.5	2800	2.8	2.2	2.4	76	2.4
YBX3-2.2-2-0.4	2.2	2800	3.5	2.4	2.6	78	2.6
YBX3-3.0-2-0.4	3.0	2800	4.2	2.6	2.8	80	2.8
YBX3-4.0-2-0.4	4.0	2800	5.0	2.8	3.0	82	3.0
YBX3-5.5-2-0.4	5.5	2800	6.0	3.0	3.2	84	3.2
YBX3-7.5-2-0.4	7.5	2800	7.2	3.2	3.4	86	3.4
YBX3-11-2-0.4	11	2800	9.0	3.4	3.6	88	3.6
YBX3-15-2-0.4	15	2800	11.0	3.6	3.8	90	3.8
YBX3-22-2-0.4	22	2800	14.0	3.8	4.0	92	4.0
YBX3-30-2-0.4	30	2800	18.0	4.0	4.2	94	4.2
YBX3-40-2-0.4	40	2800	23.0	4.2	4.4	96	4.4
YBX3-55-2-0.4	55	2800	28.0	4.4	4.6	98	4.6
YBX3-75-2-0.4	75	2800	35.0	4.6	4.8	100	4.8
YBX3-110-2-0.4	110	2800	45.0	4.8	5.0	102	5.0
YBX3-150-2-0.4	150	2800	58.0	5.0	5.2	104	5.2
YBX3-200-2-0.4	200	2800	75.0	5.2	5.4	106	5.4
YBX3-280-2-0.4	280	2800	100.0	5.4	5.6	108	5.6
YBX3-380-2-0.4	380	2800	135.0	5.6	5.8	110	5.8
YBX3-500-2-0.4	500	2800	175.0	5.8	6.0	112	6.0
YBX3-630-2-0.4	630	2800	220.0	6.0	6.2	114	6.2
YBX3-800-2-0.4	800	2800	280.0	6.2	6.4	116	6.4
YBX3-1000-2-0.4	1000	2800	350.0	6.4	6.6	118	6.6
YBX3-1320-2-0.4	1320	2800	450.0	6.6	6.8	120	6.8
YBX3-1600-2-0.4	1600	2800	560.0	6.8	7.0	122	7.0
YBX3-2000-2-0.4	2000	2800	700.0	7.0	7.2	124	7.2
YBX3-2500-2-0.4	2500	2800	880.0	7.2	7.4	126	7.4
YBX3-3150-2-0.4	3150	2800	1100.0	7.4	7.6	128	7.6
YBX3-4000-2-0.4	4000	2800	1400.0	7.6	7.8	130	7.8
YBX3-5000-2-0.4	5000	2800	1750.0	7.8	8.0	132	8.0
YBX3-6300-2-0.4	6300	2800	2200.0	8.0	8.2	134	8.2
YBX3-8000-2-0.4	8000	2800	2800.0	8.2	8.4	136	8.4
YBX3-10000-2-0.4	10000	2800	3500.0	8.4	8.6	138	8.6
YBX3-12500-2-0.4	12500	2800	4400.0	8.6	8.8	140	8.8
YBX3-16000-2-0.4	16000	2800	5600.0	8.8	9.0	142	9.0
YBX3-20000-2-0.4	20000	2800	7000.0	9.0	9.2	144	9.2
YBX3-25000-2-0.4	25000	2800	8800.0	9.2	9.4	146	9.4
YBX3-31500-2-0.4	31500	2800	11000.0	9.4	9.6	148	9.6
YBX3-40000-2-0.4	40000	2800	14000.0	9.6	9.8	150	9.8
YBX3-50000-2-0.4	50000	2800	17500.0	9.8	10.0	152	10.0
YBX3-63000-2-0.4	63000	2800	22000.0	10.0	10.2	154	10.2
YBX3-80000-2-0.4	80000	2800	28000.0	10.2	10.4	156	10.4
YBX3-100000-2-0.4	100000	2800	35000.0	10.4	10.6	158	10.6
YBX3-125000-2-0.4	125000	2800	44000.0	10.6	10.8	160	10.8
YBX3-160000-2-0.4	160000	2800	56000.0	10.8	11.0	162	11.0
YBX3-200000-2-0.4	200000	2800	70000.0	11.0	11.2	164	11.2
YBX3-250000-2-0.4	250000	2800	88000.0	11.2	11.4	166	11.4
YBX3-315000-2-0.4	315000	2800	110000.0	11.4	11.6	168	11.6
YBX3-400000-2-0.4	400000	2800	140000.0	11.6	11.8	170	11.8
YBX3-500000-2-0.4	500000	2800	175000.0	11.8	12.0	172	12.0
YBX3-630000-2-0.4	630000	2800	220000.0	12.0	12.2	174	12.2
YBX3-800000-2-0.4	800000	2800	280000.0	12.2	12.4	176	12.4
YBX3-1000000-2-0.4	1000000	2800	350000.0	12.4	12.6	178	12.6
YBX3-1250000-2-0.4	1250000	2800	440000.0	12.6	12.8	180	12.8
YBX3-1600000-2-0.4	1600000	2800	560000.0	12.8	13.0	182	13.0
YBX3-2000000-2-0.4	2000000	2800	700000.0	13.0	13.2	184	13.2
YBX3-2500000-2-0.4	2500000	2800	880000.0	13.2	13.4	186	13.4
YBX3-3150000-2-0.4	3150000	2800	1100000.0	13.4	13.6	188	13.6
YBX3-4000000-2-0.4	4000000	2800	1400000.0	13.6	13.8	190	13.8
YBX3-5000000-2-0.4	5000000	2800	1750000.0	13.8	14.0	192	14.0
YBX3-6300000-2-0.4	6300000	2800	2200000.0	14.0	14.2	194	14.2
YBX3-8000000-2-0.4	8000000	2800	2800000.0	14.2	14.4	196	14.4
YBX3-10000000-2-0.4	10000000	2800	3500000.0	14.4	14.6	198	14.6
YBX3-12500000-2-0.4	12500000	2800	4400000.0	14.6	14.8	200	14.8
YBX3-16000000-2-0.4	16000000	2800	5600000.0	14.8	15.0	202	15.0
YBX3-20000000-2-0.4	20000000	2800	7000000.0	15.0	15.2	204	15.2
YBX3-25000000-2-0.4	25000000	2800	8800000.0	15.2	15.4	206	15.4
YBX3-31500000-2-0.4	31500000	2800	11000000.0	15.4	15.6	208	15.6
YBX3-40000000-2-0.4	40000000	2800	14000000.0	15.6	15.8	210	15.8
YBX3-50000000-2-0.4	50000000	2800	17500000.0	15.8	16.0	212	16.0
YBX3-63000000-2-0.4	63000000	2800	22000000.0	16.0	16.2	214	16.2
YBX3-80000000-2-0.4	80000000	2800	28000000.0	16.2	16.4	216	16.4
YBX3-100000000-2-0.4	100000000	2800	35000000.0	16.4	16.6	218	16.6
YBX3-125000000-2-0.4	125000000	2800	44000000.0	16.6	16.8	220	16.8
YBX3-160000000-2-0.4	160000000	2800	56000000.0	16.8	17.0	222	17.0
YBX3-200000000-2-0.4	200000000	2800	70000000.0	17.0	17.2	224	17.2
YBX3-250000000-2-0.4	250000000	2800	88000000.0	17.2	17.4	226	17.4
YBX3-315000000-2-0.4	315000000	2800	110000000.0	17.4	17.6	228	17.6
YBX3-400000000-2-0.4	400000000	2800	140000000.0	17.6	17.8	230	17.8
YBX3-500000000-2-0.4	500000000	2800	175000000.0	17.8	18.0	232	18.0
YBX3-630000000-2-0.4	630000000	2800	220000000.0	18.0	18.2	234	18.2
YBX3-800000000-2-0.4	800000000	2800	280000000.0	18.2	18.4	236	18.4
YBX3-1000000000-2-0.4	1000000000	2800	350000000.0	18.4	18.6	238	18.6
YBX3-1250000000-2-0.4	1250000000	2800	440000000.0	18.6	18.8	240	18.8
YBX3-1600000000-2-0.4	1600000000	2800	560000000.0	18.8	19.0	242	19.0
YBX3-2000000000-2-0.4	2000000000	2800	700000000.0	19.0	19.2	244	19.2
YBX3-2500000000-2-0.4	2500000000	2800	880000000.0	19.2	19.4	246	19.4
YBX3-3150000000-2-0.4	3150000000	2800	1100000000.0	19.4	19.6	248	19.6
YBX3-4000000000-2-0.4	4000000000	2800	1400000000.0	19.6	19.8	250	19.8
YBX3-5000000000-2-0.4	5000000000	2800	1750000000.0	19.8	20.0	252	20.0
YBX3-6300000000-2-0.4	6300000000	2800	2200000000.0	20.0	20.2	254	20.2
YBX3-8000000000-2-0.4	8000000000	2800	2800000000.0	20.2	20.4	256	20.4
YBX3-10000000000-2-0.4	10000000000	2800	3500000000.0	20.4	20.6	258	20.6
YBX3-12500000000-2-0.4	12500000000	2800	4400000000.0	20.6	20.8	260	20.8
YBX3-16000000000-2-0.4	16000000000	2800	5600000000.0	20.8	21.0	262	21.0
YBX3-20000000000-2-0.4	20000000000	2800	7000000000.0	21.0	21.2	264	21.2
YBX3-25000000000-2-0.4	25000000000	2800	8800000000.0	21.2	21.4	266	21.4
YBX3-31500000000-2-0.4	31500000000	2800	11000000000.0	21.4	21.6	268	21.6
YBX3-40000000000-2-0.4	40000000000	2800	14000000000.0	21.6	21.8	270	21.8
YBX3-50000000000-2-0.4	50000000000	2800	17500000000.0	21.8	22.0	272	22.0
YBX3-63000000000-2-0.4	63000000000	2800	22000000000.0	22.0	22.2	274	22.2
YBX3-80000000000-2-0.4	80000000000	2800	28000000000.0	22.2	22.4	276	22.4
YBX3-100000000000-2-0.4	100000000000	2800	35000000000.0	22.4	22.6	278	22.6
YBX3-125000000000-2-0.4	125000000000	2800	44000000000.0	22.6	22.8	280	22.8
YBX3-160000000000-2-0.4	160000000000	2800	56000000000.0	22.8	23.0	282	23.0
YBX3-200000000000-2-0.4	200000000000	2800	70000000000.0	23.0	23.2	284	23.2
YBX3-250000000000-2-0.4	250000000000	2800	88000000000.0	23.2	23.4	286	23.4
YBX3-315000000000-2-0.4	315000000000	2800	110000000000.0	23.4	23.6	288	23.6
YBX3-400000000000-2-0.4	400000000000	2800	140000000000.0	23.6	23.8	290	23.8
YBX3-500000000000-2-0.4	500000000000	2800	175000000000.0	23.8	24.0	292	24.0
YBX3-630000000000-2-0.4	63000000000						

“Y”系列电动机技术参数

电动机型号	额定功率/kW	额定电压/V	额定电流/A	额定转速/r/min	效率/%	功率因数
Y100L1-2	0.37	220/380	1.6/0.8	2800	76	0.75
Y100L2-2	0.55	220/380	2.2/1.1	2800	78	0.75
Y100L1-4	0.37	220/380	1.6/0.8	1400	76	0.75
Y100L2-4	0.55	220/380	2.2/1.1	1400	78	0.75
Y100L1-6	0.37	220/380	1.6/0.8	960	76	0.75
Y100L2-6	0.55	220/380	2.2/1.1	960	78	0.75

注：1. Y100L1-2、Y100L2-2、Y100L1-4、Y100L2-4、Y100L1-6、Y100L2-6 电动机为三相异步电动机。

电动机型号	额定功率/kW	额定电压/V	额定电流/A	额定转速/r/min	效率/%	功率因数
Y100L1-8	0.37	220/380	1.6/0.8	720	76	0.75
Y100L2-8	0.55	220/380	2.2/1.1	720	78	0.75
Y100L1-10	0.37	220/380	1.6/0.8	600	76	0.75
Y100L2-10	0.55	220/380	2.2/1.1	600	78	0.75
Y100L1-12	0.37	220/380	1.6/0.8	500	76	0.75
Y100L2-12	0.55	220/380	2.2/1.1	500	78	0.75
Y100L1-14	0.37	220/380	1.6/0.8	420	76	0.75
Y100L2-14	0.55	220/380	2.2/1.1	420	78	0.75
Y100L1-16	0.37	220/380	1.6/0.8	360	76	0.75
Y100L2-16	0.55	220/380	2.2/1.1	360	78	0.75
Y100L1-18	0.37	220/380	1.6/0.8	300	76	0.75
Y100L2-18	0.55	220/380	2.2/1.1	300	78	0.75
Y100L1-20	0.37	220/380	1.6/0.8	250	76	0.75
Y100L2-20	0.55	220/380	2.2/1.1	250	78	0.75

注：1. Y100L1-8、Y100L2-8、Y100L1-10、Y100L2-10、Y100L1-12、Y100L2-12、Y100L1-14、Y100L2-14、Y100L1-16、Y100L2-16、Y100L1-18、Y100L2-18、Y100L1-20、Y100L2-20 电动机为三相异步电动机。

电动机型号	额定功率/kW	额定电压/V	额定电流/A	额定转速/r/min	效率/%	功率因数
Y100L1-22	0.37	220/380	1.6/0.8	200	76	0.75
Y100L2-22	0.55	220/380	2.2/1.1	200	78	0.75
Y100L1-24	0.37	220/380	1.6/0.8	170	76	0.75
Y100L2-24	0.55	220/380	2.2/1.1	170	78	0.75
Y100L1-26	0.37	220/380	1.6/0.8	140	76	0.75
Y100L2-26	0.55	220/380	2.2/1.1	140	78	0.75
Y100L1-28	0.37	220/380	1.6/0.8	120	76	0.75
Y100L2-28	0.55	220/380	2.2/1.1	120	78	0.75
Y100L1-30	0.37	220/380	1.6/0.8	100	76	0.75
Y100L2-30	0.55	220/380	2.2/1.1	100	78	0.75

Y100L1-32	0.37	220/380	1.6/0.8	80	76	0.75
Y100L2-32	0.55	220/380	2.2/1.1	80	78	0.75

“Y”系列电动机主要性能参数

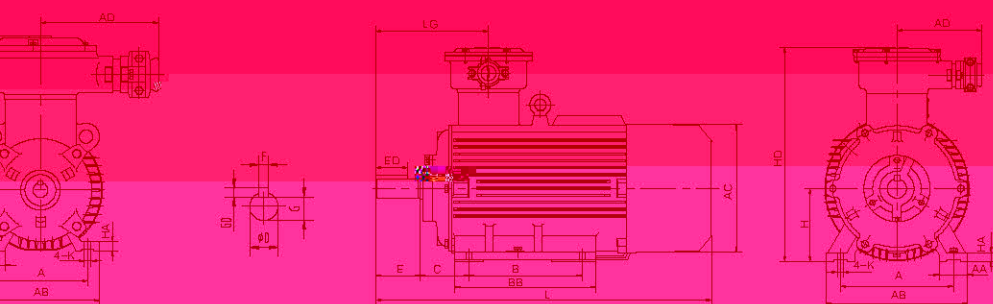
电动机型号	额定功率/kW	额定电压/V	额定电流/A	额定转速/r/min	效率/%	功率因数
Y100L1-2	0.37	220/380	1.6/0.8	2800	76	0.75
Y100L2-2	0.55	220/380	2.2/1.1	2800	78	0.75
Y100L1-4	0.37	220/380	1.6/0.8	1400	76	0.75
Y100L2-4	0.55	220/380	2.2/1.1	1400	78	0.75
Y100L1-6	0.37	220/380	1.6/0.8	960	76	0.75
Y100L2-6	0.55	220/380	2.2/1.1	960	78	0.75
Y100L1-8	0.37	220/380	1.6/0.8	720	76	0.75
Y100L2-8	0.55	220/380	2.2/1.1	720	78	0.75
Y100L1-10	0.37	220/380	1.6/0.8	600	76	0.75
Y100L2-10	0.55	220/380	2.2/1.1	600	78	0.75
Y100L1-12	0.37	220/380	1.6/0.8	500	76	0.75
Y100L2-12	0.55	220/380	2.2/1.1	500	78	0.75
Y100L1-14	0.37	220/380	1.6/0.8	420	76	0.75
Y100L2-14	0.55	220/380	2.2/1.1	420	78	0.75
Y100L1-16	0.37	220/380	1.6/0.8	360	76	0.75
Y100L2-16	0.55	220/380	2.2/1.1	360	78	0.75
Y100L1-18	0.37	220/380	1.6/0.8	300	76	0.75
Y100L2-18	0.55	220/380	2.2/1.1	300	78	0.75
Y100L1-20	0.37	220/380	1.6/0.8	250	76	0.75
Y100L2-20	0.55	220/380	2.2/1.1	250	78	0.75

“Y”系列电动机主要性能参数

电动机型号	额定功率/kW	额定电压/V	额定电流/A	额定转速/r/min	效率/%	功率因数
Y100L1-22	0.37	220/380	1.6/0.8	200	76	0.75
Y100L2-22	0.55	220/380	2.2/1.1	200	78	0.75
Y100L1-24	0.37	220/380	1.6/0.8	170	76	0.75
Y100L2-24	0.55	220/380	2.2/1.1	170	78	0.75
Y100L1-26	0.37	220/380	1.6/0.8	140	76	0.75
Y100L2-26	0.55	220/380	2.2/1.1	140	78	0.75
Y100L1-28	0.37	220/380	1.6/0.8	120	76	0.75
Y100L2-28	0.55	220/380	2.2/1.1	120	78	0.75
Y100L1-30	0.37	220/380	1.6/0.8	100	76	0.75
Y100L2-30	0.55	220/380	2.2/1.1	100	78	0.75
Y100L1-32	0.37	220/380	1.6/0.8	80	76	0.75
Y100L2-32	0.55	220/380	2.2/1.1	80	78	0.75

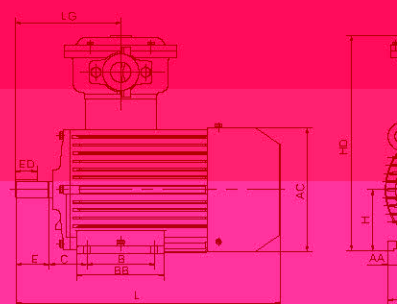
防爆电机外形及安装尺寸图

外形及安装尺寸图 -B3



(0)

(YBX3-180-355)



(YBX3-80-160)

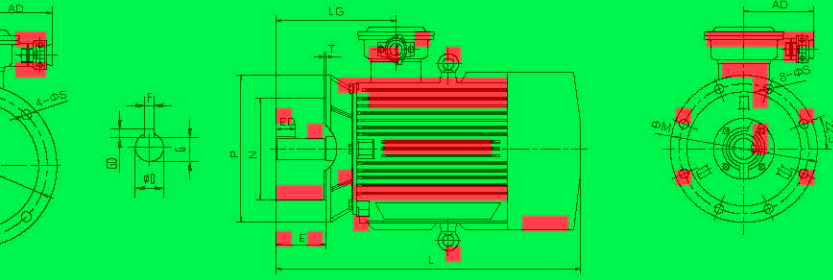
AD	B	BB	C	D	E	ED	F	G	GD	H	HA	HD	K	L	LG
175	100	130	50	19	40	22	6	15.5	6	80	10	296	10	318	141
175	100	135	56	24	50	32	8	20	8	90	14	318	10	365	156
175	125	160	56	24	50	32	8	20	8	90	14	318	10	390	156
175	140	176	63	28	60	40	8	24	8	100	14	344	12	443	162
190	140	180	70	28	60	40	8	24	8	112	16	360	12	492	162
190	140	190	89	38	80	56	10	33	10	132	18	417	12	509	200
190	178	230	89	38	80	56	10	33	10	132	18	417	12	559	200
211	210	268	108	42	110	80	12	37	12	160	25	487	14.5	700	272
211	254	310	108	42	110	80	12	37	12	160	25	487	14.5	730	272
211	241	311	121	48	110	80	12	37	12	160	25	487	14.5	730	272

FRAME	A	AA	AB	AC
80M	125	34	160	180
90S	140	36	176	190
90L	140	36	176	190
100L	160	43	200	210
112M	190	50	240	225
132S	216	60	276	265
132M	216	60	276	265
160M	254	70	324	320
160L	254	70	324	320
180M	279	70	349	360



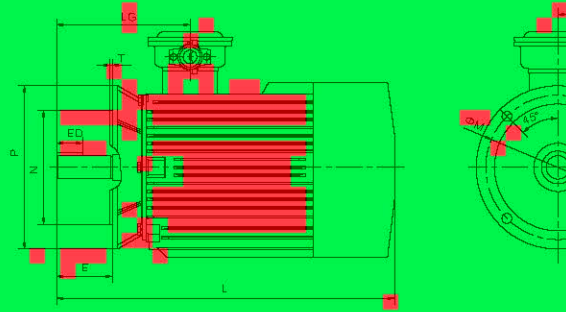


外形及安装尺寸图 (YBX3-225~355)



(YBX3-225~355)

Frame	G	GD	L	LG	LM	M	N	P	S	I
15.5	6	318	141	358	165	130	200	12	3.5	
20	8	365	156	403	165	130	200	12	3.5	
20	8	390	156	430	165	130	200	12	3.5	
24	8	443	162	490	215	180	260	15	4	
24	8	492	183	542	215	180	260	15	4	
33	10	503	200	559	265	230	300	15	4	
33	10	559	200	620	265	230	300	15	4	
37	12	700	272	740	300	250	350	19	5	
37	12	730	272	785	300	250	350	19	5	
42.5	14	771	279	826	300	250	350	19	5	
42.5	14	791	279	846	300	250	350	19	5	
49	16	829	291	881	360	260	400	19	5	
53	18	845	346	914	400	350	450	19	5	
49	16	875	346	914	400	350	450	19	5	
53	18	875	346	944	400	350	450	19	5	
53	18	961	370	1077	500	450	550	19	5	
58	18	961	370	1077	500	450	550	19	5	
58	18	1020	378	1125	500	450	550	19	5	
67.5	20	1020	378	1125	500	450	550	19	5	
55	18	1080	378	1125	500	450	550	19	5	
67.5	20	1080	378	1125	500	450	550	19	5	
85	18	1260	472	1348	600	550	660	24	6	
58	18	1370	472	1468	600	550	660	24	6	
71	22	1280	472	1378	600	550	660	24	6	
71	22	1400	472	1498	600	550	660	24	6	
71	22	1400	472	1498	600	550	660	24	6	
67.5	20	1540	486	1630	740	680	800	24	6	
67.5	20	1650	486	1740	740	680	800	24	6	
86	25	1570	486	1660	740	680	800	24	6	
86	25	1680	486	1770	740	680	800	24	6	



(YBX3-80~200)

FRAME	AC	AD	D	E	ED	I
80M	180	176	19	40	22	
90S	190	176	24	50	32	
90L	190	175	24	50	32	
100L	210	175	28	60	40	
112M	225	190	28	60	40	
132S	265	190	38	80	56	
132M	265	190	38	80	56	
160M	320	211	42	110	80	
160L	320	211	42	110	80	
180M	360	211	48	110	80	
180L	360	211	48	110	80	14
200L	405	240	55	110	95	16
225M(8P)	450	240	60	140	100	18
225M(2P)	450	240	55	110	80	16
225M(4-8P)	450	240	60	140	100	18
250M(2P)	500	279	65	140	100	18
250M(4-8P)	500	279	65	140	100	18
280S(2P)	550	279	65	140	100	18
280S(4-8P)	550	279	75	140	100	20
280M(2P)	550	279	65	140	100	18
280M(4-8P)	550	279	75	140	100	20
315S(2P)	625	352	80	140	100	18
315M(2P)	625	352	80	140	100	18
315S(4-10P)	625	352	80	170	130	22
315M(4-10P)	625	352	80	170	130	22
315L(4-10P)	625	352	80	170	130	22
355M(2P)	702	352	75	140	100	20
355L(2P)	702	352	75	140	100	20
355M(4-10P)	702	352	85	170	130	25
355L(4-10P)	702	352	85	170	130	25

Note: R=0